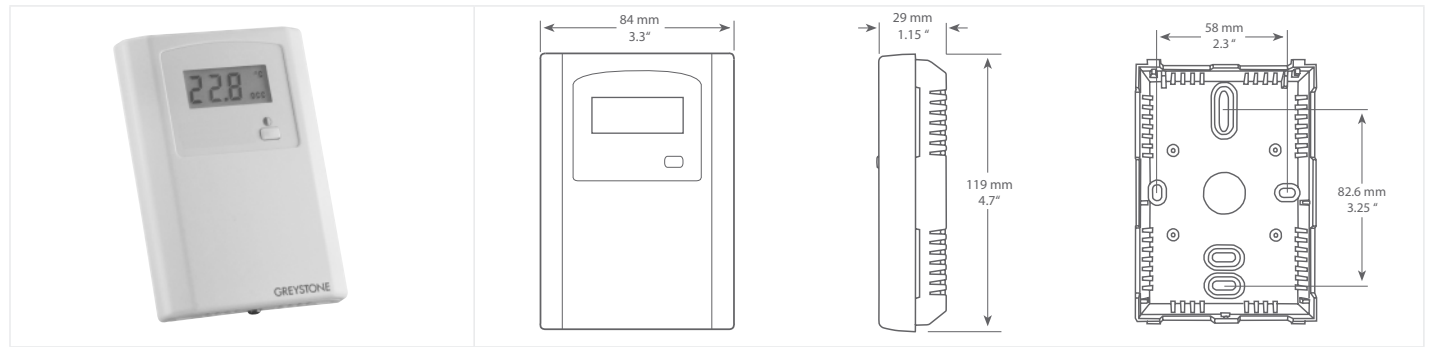


HIGH ACCURACY ROOM TEMPERATURE TRANSMITTER WITH LCD



HATXRCL SERIES

PRODUCT DESCRIPTION

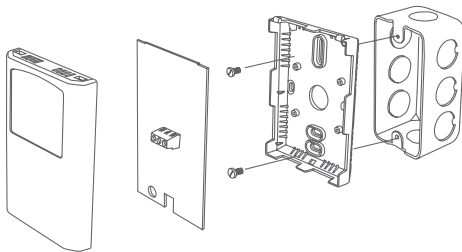
The HATXRCL series room temperature transmitter with LCD display is an attractive, low profile enclosure that incorporates a high accuracy temperature sensor and a transmitter that provides a high accuracy signal with excellent long term stability, low hysteresis and fast response for measurement of room temperatures. Additional options are available Manual override, Communications jack & Fan speed control.

TYPICAL INSTALLATION

For complete installation and wiring details, please refer to the product installation instructions.

The HATXRCL series can be mounted directly to a single gang electrical box or directly to a wall. Insulation foam is adhered to the back of the enclosure to provide a thermal barrier from wall temperatures.

A terminal block connection is provided for connection to the Building Automation System.

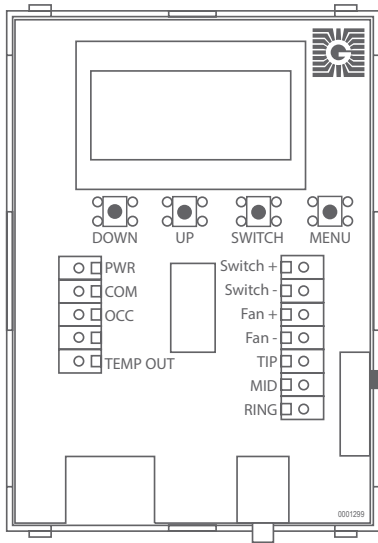


SPECIFICATIONS

POWER SUPPLY	24Vac/dc ±10% (non-isolated half-wave rectified)
CONSUMPTION	40 mA max @ 24 Vdc
INPUT VOLTAGE EFFECT	Negligible over specified operating range
PROTECTION CIRCUITRY	Reverse voltage protected and output limited
OUTPUT SIGNAL	4-20 mA active (sourcing) or 0-5 Vdc or 0-10 Vdc (specify when ordering)
OUTPUT RESOLUTION	10 bit for all signals
OUTPUT DRIVE CAPABILITY	Current: 550Ω max Voltage: 10,000Ω min
PROGRAMMING AND SELECTION	Via push buttons and on-screen menu
OPERATING CONDITIONS	0 to 50°C (32 to 122°F), 0 to 95 %RH, non-condensing
WIRING CONNECTIONS	Screw terminal block (14 to 22 AWG)
ENCLOSURE	White ABS, IP30 (NEMA 1) 84mm W x 117mm H x 29mm D (3.3" x 4.6" x 1.15")
LCD DISPLAY	Display Size: 38.1 x 16.5 mm (1.5" x 0.65") Digit Height: 11.43 mm (0.45") Symbols: °C, °F, OCC Backlight: Enable or disable via menu
TEMPERATURE	Accuracy: ±0.1°C (±0.18°F) Range: 0 to 35°C (32 to 95°F) or 0 to 50°C (32 to 122°F) programmable Offset: ±9°F programmable Units: °C or °F programmable Resolution: 0.5° < 100°, 1° > 100°
OPTIONAL OVERRIDE	Front Panel Push Button: 2 wire dry contact Switch Ratings: N.O., SPST, 50 mA @ 12 Vdc
OCCUPIED INPUT	Signal Type: Digital input, 0/5 Vdc or dry contact to common Logic: Active low or active high, programmable Action: Causes "OCC" segment to light on LCD
OPTIONAL FAN SPEED SWITCH	Type: Side mounted, 5 position slide switch Designators: Off, Auto, Low, Medium, High Signal: 2 wire, resistance output - 0, 2, 4, 6, 8 KΩ, Custom ranges available, contact Greystone
OPTIONAL COMMUNICATION JACKS	3.5mm phono jack Ring/Mid/Tip connections to a 3-pin terminal block
COUNTRY OF ORIGIN	Canada



WIRING INFORMATION



TERMINAL	FUNCTION
PWR	Power Input
COM	Common
OCC IN	Digital Input
TEMP OUT	Analog Output
SWITCH +	Digital Output
SWITCH -	Common
FAN +	Resistance Output
FAN -	Common
TIP	External Jack (tip of plug)
MID	External Jack (middle of plug)
RING	External Jack (base of plug)

ORDERING

PRODUCT	HATXRCL	High Accuracy Room Temperature Transmitter with LCD
OUTPUT	A D E	4-20 mA 0-5 Vdc 0-10 Vdc
OPTIONS (MULTIPLE SELECTIONS CAN BE MADE)	S J F	Exposed push button switch (NO) Comm. Jack (3.5 mm Phono) Fan speed switch

PART NUMBER

HATXRCL

NOTE: Greystone Energy Systems, Inc. reserves the right to make design modifications without prior notice.